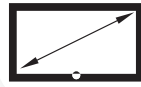




YOU'LL LOVE THIS MOUNT



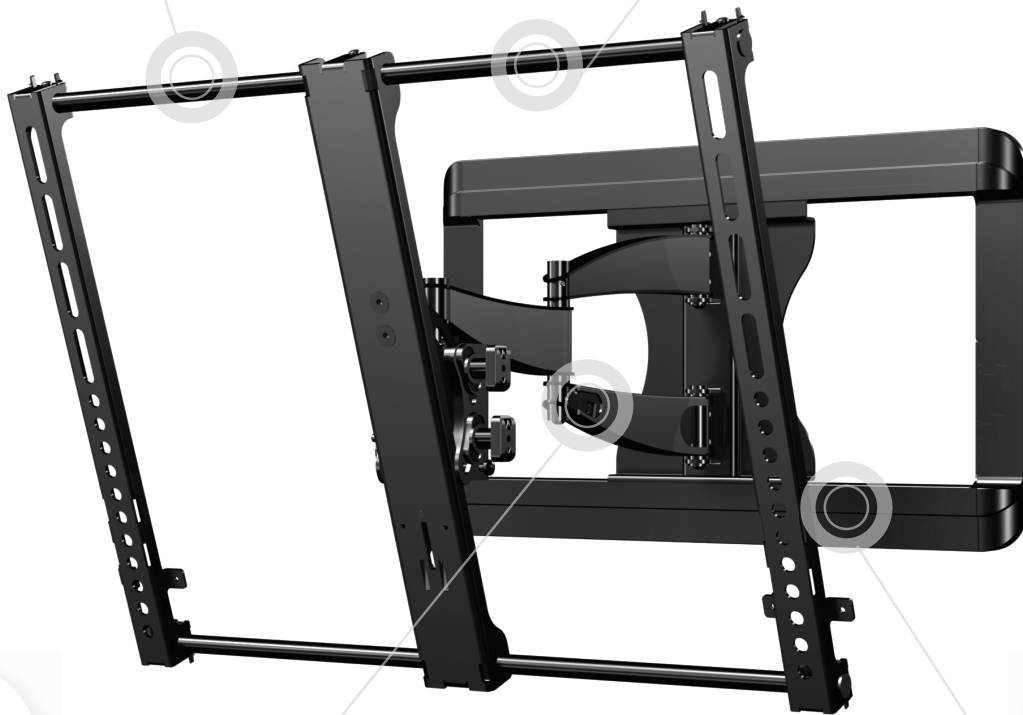
Adjust your TV easily: tilt, swivel, extend and level



Universal TV interface fits 40 - 50" TVs



Fingertip tilt allows for easy adjustments without tools



Conceal unsightly cables



Slide TV side-to-side for perfect positioning on the wall

FULL-MOTION | VMF620

Installation and Feature Videos Available Online

FITS **40" - 50"** TVs
 HOLDS TVS UP TO 34 KG.

WALL DISTANCE 7.6 - 53 cm
 SWIVEL +90° / -90°
 TILT +5° / -15°

- > MAXIMUM FLEXIBILITY
- > EASY 1, 2, 3 INSTALLATION
- > SAFE AND SECURE

MOUNTING PATTERN

75x75	100x100	200x100	200x200	300x200	400x200	300x300	400x300	400x400	600x400	700x400	800x400	800x500	Random
			✓	✓	✓	✓	✓	✓	✓				